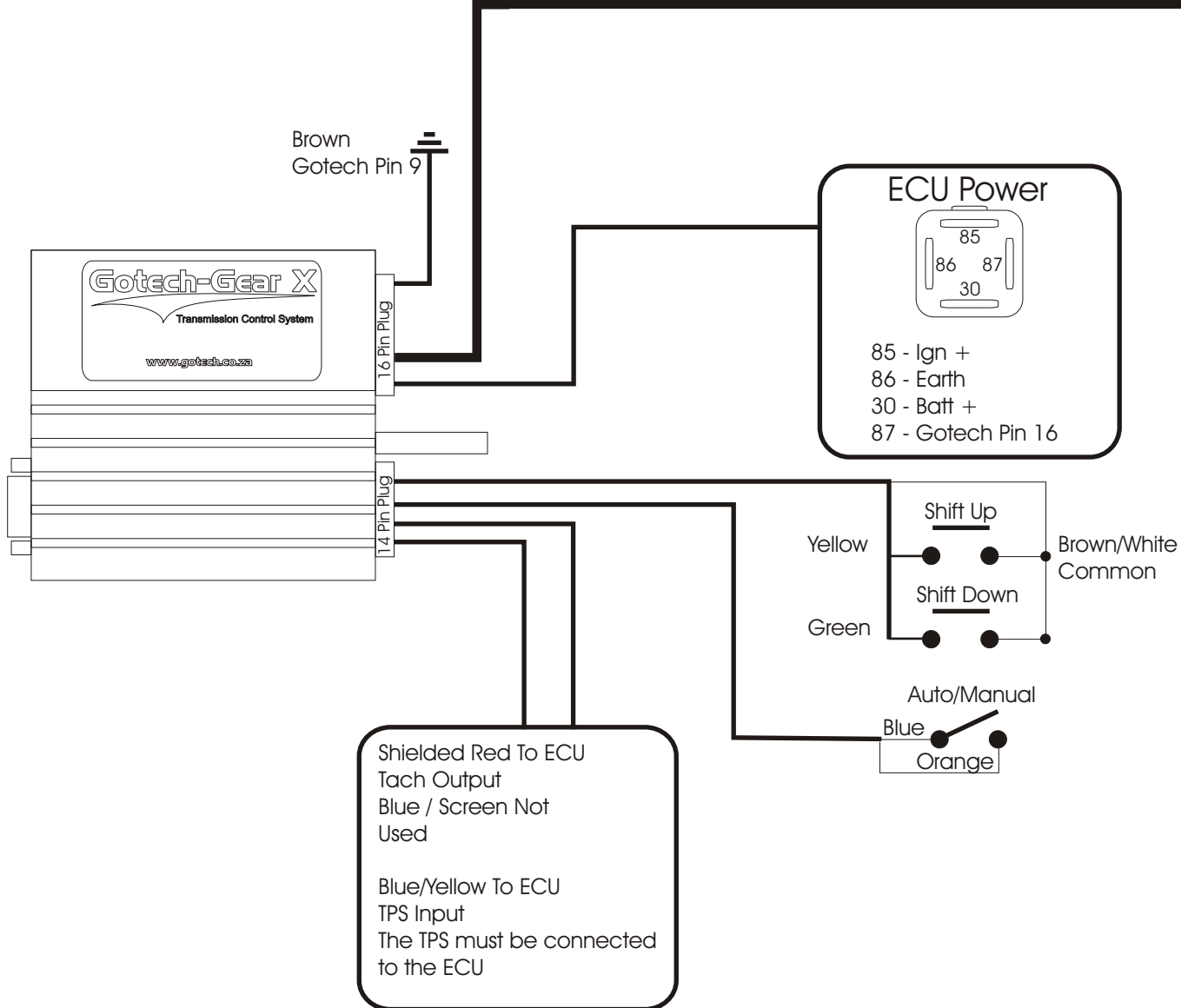
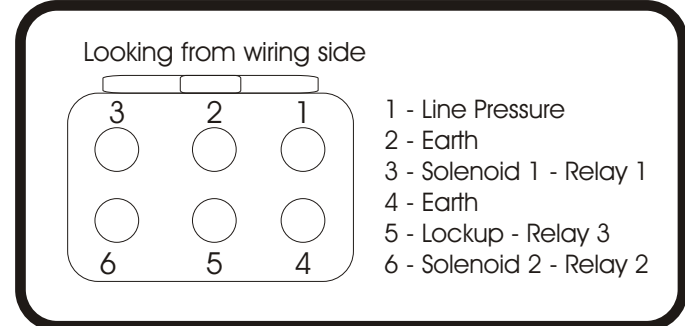


ECU connects directly to gearbox



Shielded Red To ECU
Tach Output
Blue / Screen Not
Used

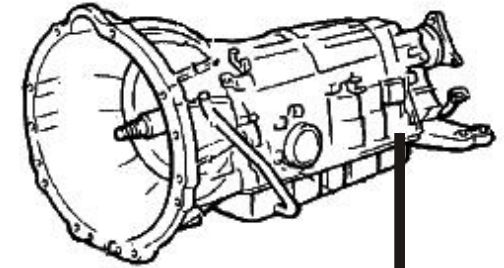
Blue/Yellow To ECU
TPS Input
The TPS must be connected
to the ECU



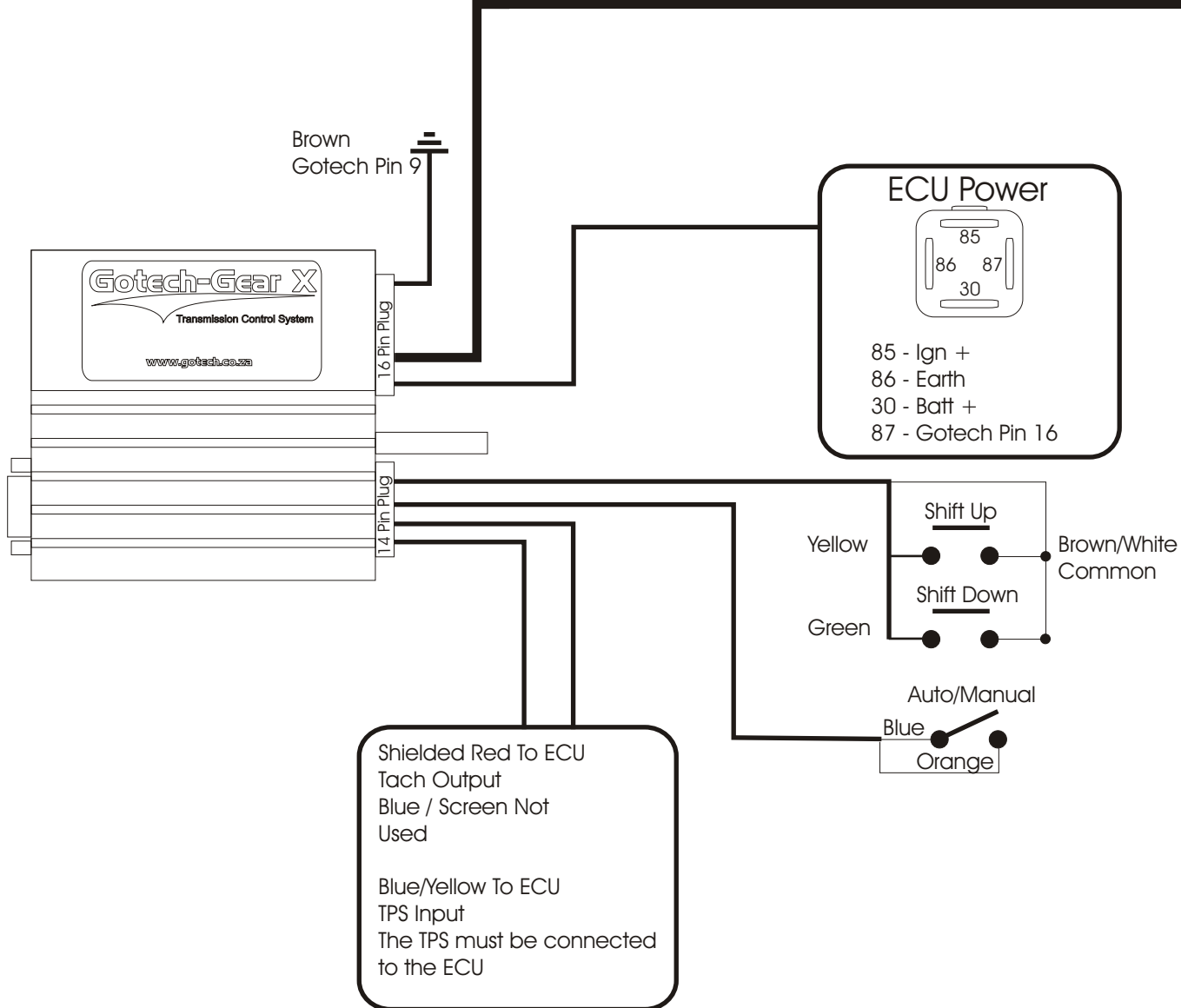
Gotech Gear X Ecu

| | | | | | | | | | | | | | | |
|----|----|----|----|----|---|---|----|----|----|----|----|----|----|---|
| 14 | 13 | 12 | 11 | 10 | 9 | 8 | 16 | 15 | 14 | 13 | 12 | 11 | 10 | 9 |
| 7 | 6 | 5 | 4 | 3 | 2 | 1 | 8 | 7 | 6 | 5 | 4 | 3 | 2 | 1 |

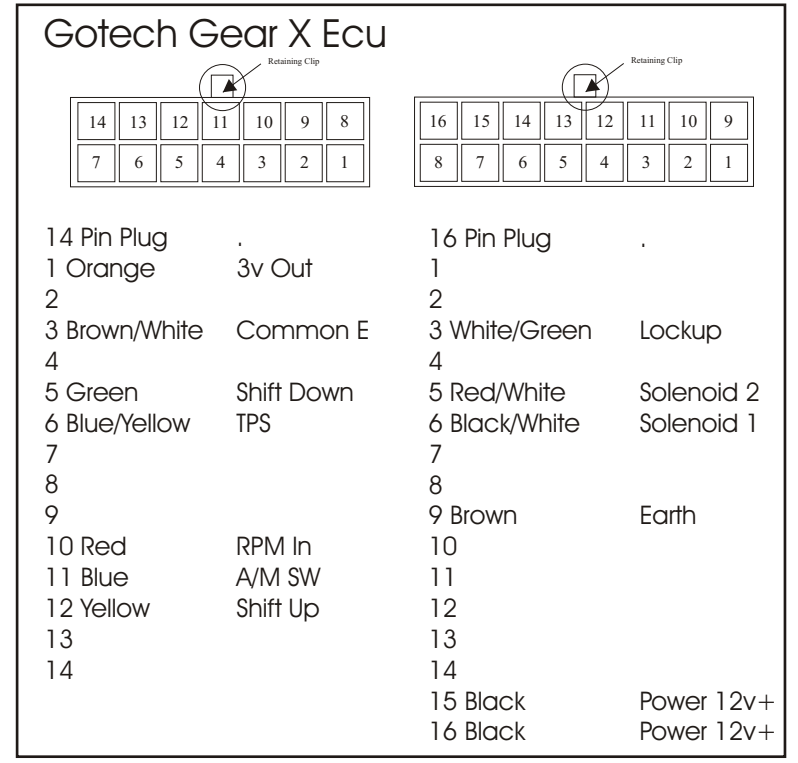
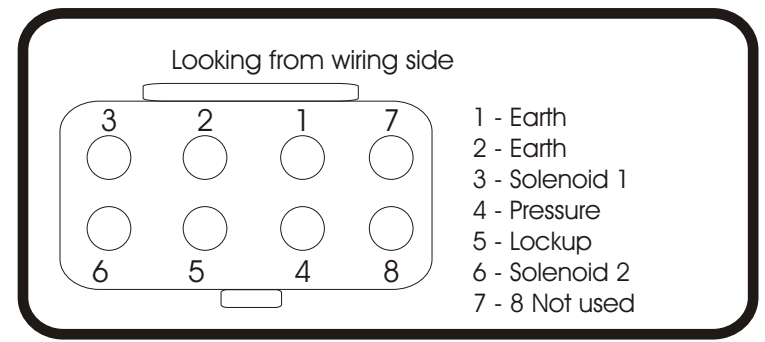
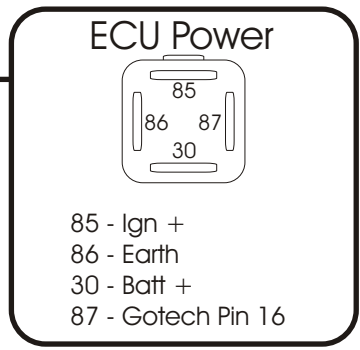
| | | | |
|---------------|------------|---------------|------------|
| 14 Pin Plug | . | 16 Pin Plug | . |
| 1 Orange | 3v Out | 1 | |
| 2 | | 2 | |
| 3 Brown/White | Common E | 3 White/Green | Lockup |
| 4 | | 4 | |
| 5 Green | Shift Down | 5 Red/White | Solenoid 2 |
| 6 Blue/Yellow | TPS | 6 Black/White | Solenoid 1 |
| 7 | | 7 | |
| 8 | | 8 | |
| 9 | | 9 Brown | Earth |
| 10 Red | RPM In | 10 | |
| 11 Blue | A/M SW | 11 | |
| 12 Yellow | Shift Up | 12 | |
| 13 | | 13 | |
| 14 | | 14 | |
| | | 15 Black | Power 12v+ |
| | | 16 Black | Power 12v+ |



ECU connects directly to gearbox



Brown
Gotech Pin 9



Shielded Red To ECU
Tach Output
Blue / Screen Not
Used

Blue/Yellow To ECU
TPS Input
The TPS must be connected
to the ECU